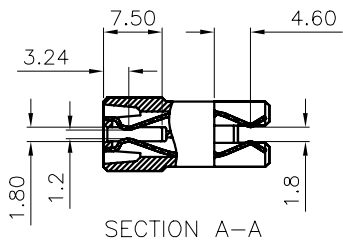
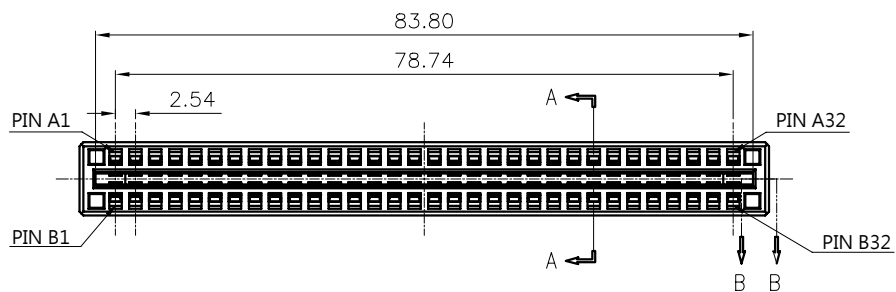
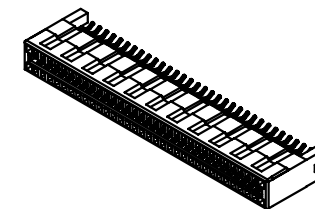
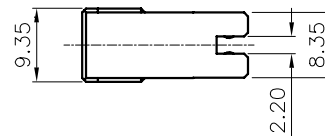


SECTION B-B



SECTION A-A



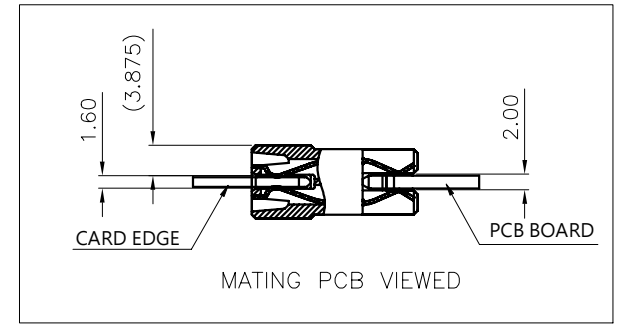
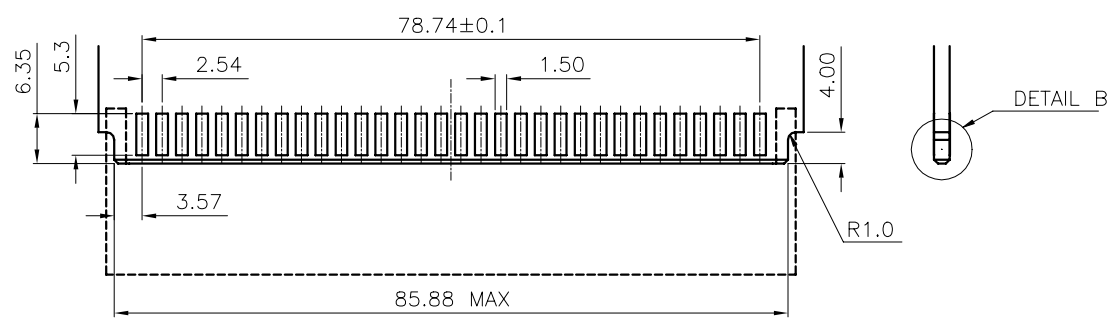
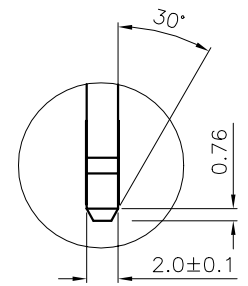
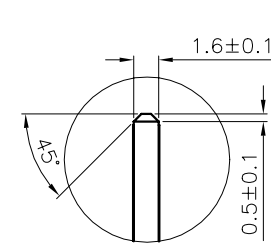
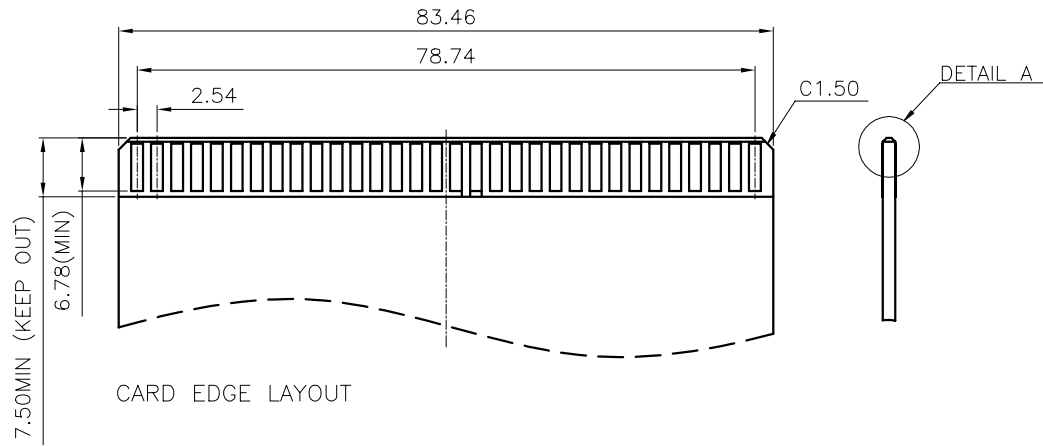
NOTES:

1. MATERIAL:
 - 1.1 HOUSING: THERMOPLASTIC, HIGH TEMP., UL94V-0; COLOR:BLACK.
 - 1.2 CONTACT: COPPER ALLOY
2. FINISH:
 - CONTACT:SEE ORDER INFORMATION.
 - UNDERPLATING: 50~100u" NICKEL OVERALL.
3. REFLOW SOLDER CAPABLE TO 260°C PER ACES SPEC.
4. SPEC. PLS. REFER TO PS-52914-xxxxx-xxx
5. PACKAGE PLS. REFER TO 52914-xxxxx-xxx-TRAY
6. PART NUMBER

52914-XXX X X -001

CKTS _____ CONTACT PLATING
 064.64 PIN _____ E.Au 10u" ON CONTACT
 PACKING _____
 2.TRAY _____

QUALITY SYMBOLS MAJOR Ⓜ CRITICAL Ⓢ GENERAL TOLERANCES (UNLESS SPECIFIED) X. ±0.5 X ±0.25 .XX ±0.15 .XXX ±0.1 ANGLES ±2°	DRAWN BY HSU YI LUN	DATE 20/09/29				
	CHECKED BY CHEN CHUN YUAN	DATE 20/09/29				
	APPROVED BY WANG CHUN SHENG	DATE 20/09/29	TITLE 2.54 PITCH POWER CONN.	UNITS mm	SIZE A4	RFQ NO. N/A
	SCALE 1:1	SHEET NO. 1 OF 2	REV A	DWG NO. 52914-xxxxx-xxx		



QUALITY SYMBOLS MAJOR Ⓢ CRITICAL Ⓢ GENERAL TOLERANCES (UNLESS SPECIFIED) X. ±0.5 .X ±0.25 .XX ±0.15 .XXX ±0.1 ANGLES ±2°	DRAWN BY HSU YI LUN	DATE 20/09/29		
	CHECKED BY CHEN CHUN YUAN	DATE 20/09/29		TITLE 2.54 PITCH POWER CONN.
	APPROVED BY WANG CHUN SHENG	DATE 20/09/29	UNITS mm	SIZE A4
	SCALE 1:1	SHEET NO. 2 OF 2	REV A	RFQ NO. N/A DWG NO. 52914-xxxxx-xxx